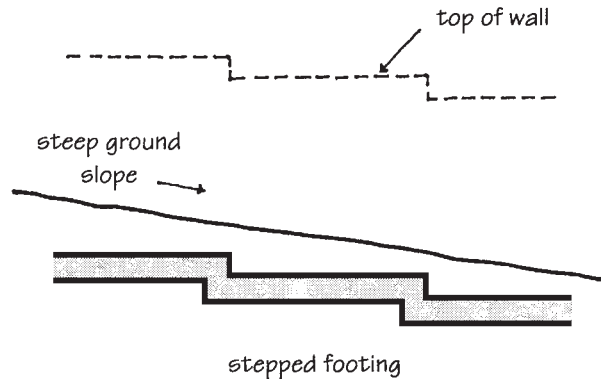


(A) LEVEL FOOTING IN MODERATELY SLOPING GROUND

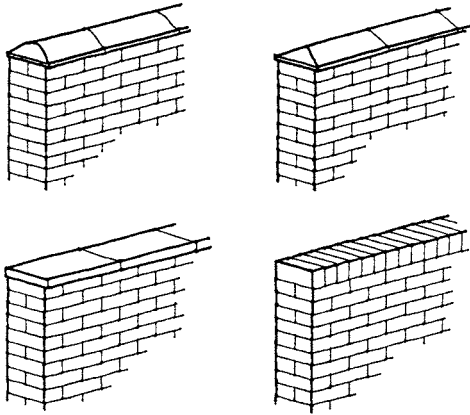


(B) STEPPED FOOTING IN STEEPLY SLOPING GROUND

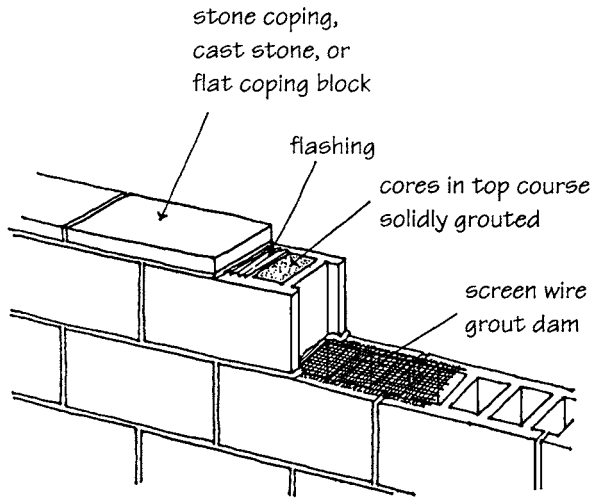
**Figure 10-20** Footings for masonry fences and screen walls on sloping ground. (From Beall, *Masonry and Concrete for Residential Construction*, McGraw-Hill Complete Construction Series, McGraw-Hill, New York, 2001.)

curved and straight sections, and at every change in direction in multi-curved panels. All metal accessories, including joint reinforcement, jamb anchors, and stiffeners, should be hot-dip galvanized after fabrication in accordance with ASTM A153, *Standard Specification for Zinc Coating (Hot-Dip) on Iron or Steel Hardware*. Panels constructed of solar reflective block must be protected from runoff of rainwater from concrete, masonry, or metal materials located above the panel. Harmful substances may stain or etch the reflective block surface, so panels should be recessed a minimum of 4 in. and a drip provided at the edge of the wall surface above.

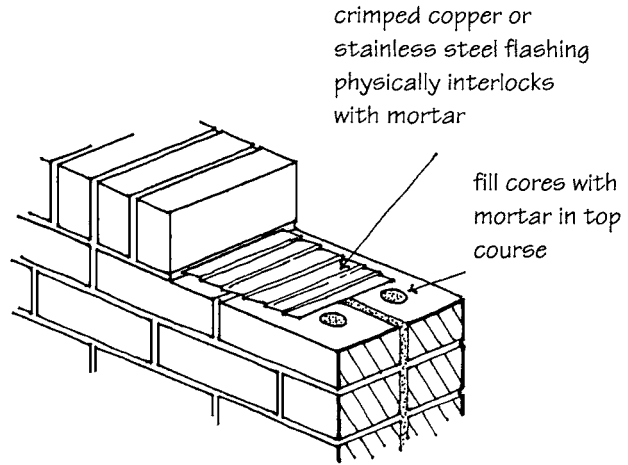
Using wedge-shaped head joints, panels can be curved at various radii depending on the size of the units. *Figure 10-29* shows the smallest achievable radius for each of four different block lengths. Ninety-degree corners may be laid to a corner post of wood or steel, or may incorporate special-shaped bullnose or hexagonal units (see *Fig. 10-30*).



DECORATIVE MASONRY WALL COPINGS



COPING ON FENCE OF HOLLOW UNITS



COPING ON DOUBLE-WYTHE BRICK FENCE

**Figure 10-21** Copings and flashing for masonry screen walls and fences. (From *Beall, Masonry and Concrete for Residential Construction, McGraw-Hill Complete Construction Series, McGraw-Hill, New York, 2001.*)

**10.4 SINGLE-WYTHE WALLS**

Masonry curtain walls are designed to span horizontally or vertically between lateral connections without intermediate support. Horizontal curtain walls span across the face of columns or cross walls where they are connected for transfer of wind loads to the structure. Multi-story curtain walls are wholly supported at the foundation without intermediate shelf angles, and are connected only at the floors and roof for lateral load transfer. Masonry curtain walls can be designed by empirical methods or by engineering analysis. Empirical methods are governed by *h/t* ratios, but analytical design is not limited by such restrictions, so walls can be built to span multiple structural bays. Curtain walls may be single- or multi-wythe design, and may incorporate reinforcing steel to increase lateral load resistance or distance between lateral supports.

Most masonry curtain walls are single-wythe CMU. This is a popular exterior wall system for large steel-framed retail buildings, warehouses, sports facilities, and so on. Depending on the applications, the single-wythe